



1800



PATCO® 1800 Flame Retardant Galley Tape

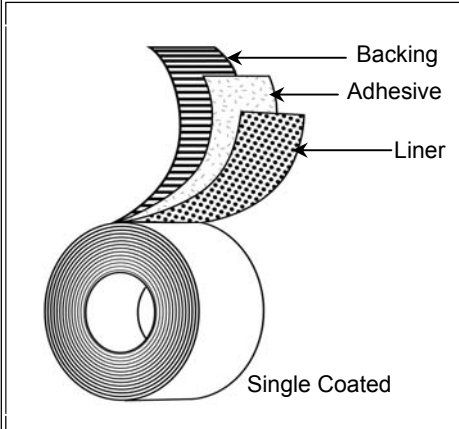
APPLICATIONS

- Aircraft corrosion inhibitor.
- Aircraft wetseal applications in main cabin areas such as galleys, lavatories, entryways, and other areas susceptible to moisture.
- Meets FAR 25.853(a) Appendix F for Interior Aircraft Use

FEATURES & BENEFITS

- Tough, conformable, and moisture resistant.
- Permanent and flame retardant.
- Allows wide width usage.
- Helps prevent corrosion on floor structures.
- Will not delaminate. Meets FAR requirements.
- Compatible with most sealants.
- Fast applications.
- Can be die-cut to various shapes.

CONSTRUCTION



PRODUCT DESCRIPTION

Single-Coated w/Liner Construction

Backing:

- Polyvinyl Chloride

Adhesive:

- Acrylic

Liner:

- 53# Coated Kraft Paper

Colors:

- Black

TEST DATA

Test	Typical Value	Typical Value (Metric)	Test Method
Total Thickness	10 mils	254 Microns	PSTC-33
Substrate Thickness	8.5 mils	216 Microns	PSTC-33
Adhesion to Steel	50 oz./in.	0.547 N/mm	ASTM D-3330
Tensile Strength	25 lb./in.	4.378 N/mm	ASTM D-3759
Elongation (%)	200 %		
Application Temperature Range	50°F to 120°F	10°C to 49°C	
Operating Temperature Range	-40°F to 200°F	-40°C to 93°C	

**Recommended storage conditions: 40-60% Humidity, 60 °F - 80 °F

The information presented herein was prepared at BERRY PLASTICS CORPORATION (25 Forge Parkway Franklin, MA 02038) by qualified technical personnel. To Berry's knowledge it is true and accurate. However, the information and recommendations are furnished for these products with the understanding that the purchaser user, as the case may be, will independently determine that the product is suitable for the intended use, and that such use complies with all applicable federal, state and local laws and regulations. The data are submitted only for the user's information and consideration, and do not constitute a warranty of any kind (including but not limited to a warranty of merchantability or of fitness for a particular purpose), or a representation for which BERRY PLASTICS assumes any legal responsibility.

For Pricing and Information

please contact distributor:

KIEPURA AVIATION CORP.

61 Church St.

Littleton, NH 03561

Tel: 603-444-3459 / Fax: 603-444-0790

Toll Free: 1-888-522-8273 (USA/Canada)

Email: jane@kiepuraaviation.com

www.kiepuraaviation.com