



Accredited to ASA-100
and FAA AC 00-56A

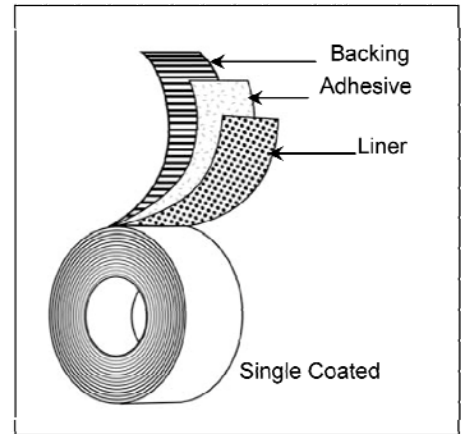


347

Premium Foil Tape – Heavy Duty

Aluminum foil for sealing and masking of aircraft. Aircraft sealing and masking applications. Used as a window mask to protect aircraft canopies, windshields and passenger window surfaces from crazing and/or hazing during paint stripping operations. Heavy duty vapor barrier sealing for sheet metal, flexible, and fiberglass duct systems.

- ◆ Aluminum Foil Backing provides a vapor barrier from moisture, contamination or corrosion.
- ◆ Acts as a heat shield, minimizing heat transfer.
- ◆ Superior conformability to adhere to irregular surfaces.
- ◆ Acrylic Adhesive System developed for solvent resistance and clean removal from surfaces.
- ◆ High adhesion - adheres tightly without lifting.
- ◆ Excellent aging resistance with long-term bond performance.



| | |
|-----------------------------------|--|
| Adhesive | Proprietary Acrylic |
| Backing | Aluminum Foil |
| Liner | Kraft Paper |
| Adhesion to backing (PSTC-1) | 22 oz/in / 24.5 g/mm |
| Adhesion to steel (PSTC-1) | 50 oz/in / 55.8 g/mm |
| Elongation | 8% |
| Foil Thickness (ASTM D-1000) | 5.5 mils / .1397 mm |
| Maximum Temperature (ASTM D-1000) | 200 ⁰ F / 93 ⁰ C |
| Tensile (ASTM D-1000) | 26 lb/in / 0.46 kg/mm |
| Thickness (ASTM D-1000) | 3 mils / 0.762mm |
| Specifications | FAR 25.853 (a) |

Note: The above are typical values and should not be used in writing specifications

For Pricing and Information

please contact:

KIEPURA AVIATION CORP.

61 Church Street

Littleton, New Hampshire 03561 USA

Tel: 603-444-3459 / Fax: 603-444-0790

Toll Free: 1-888-522-8273 (USA/Canada)

Email: info@kiepuraaviation.com

www.kiepuraaviation.com

QuickTime™ and a TIFF (Uncompressed) decompressor are needed to see this picture.